

Lina Height Adjustable Shower and Nursing Bench



Lina Shower and Nursing Bench

The bench is applied in private homes, nursing homes, institutions and other places where care-demanding children or adults need to lie down while showering or changing. The shower bench is electrically height-adjustable and has been designed to protect the carer from harming manual lifting and allow the attendant to work at an ergonomically correct height level position.

Application

This bench can be used as a nursing table or a shower bench as the underlay will allow the water to run easily into the outlet and be discharged via a flexible draining hose. The bench can be electrically height-adjusted, and it is fastened to a wall-mounted lifting console. Therefore, the bench is easy to adjust to the proper working position height. To facilitate side transfers of the person from a wheelchair or from a mobile hoist, the height of the bench can be adjusted for the transfer and then readjusted to the correct working position height for the bathing/nursing situation.

The height adjustment is seamless and can be controlled by a handheld control with a spiral cord. This will give the attendant a great deal of freedom of movement and a free hand to support the person while adjusting the bench.

The Lina Shower Bench is applied in bathrooms where it may be exposed to water. The bench is easily folded and tipped up against the wall, which saves space when not in use.

The backrest can be angled to the needs of the person while bathing. If the bench will be applied for nursing purposes, a cushion can be ordered separately.

The Lina Shower Bench is available in four lengths: 130, 150, 170 and 190 cm.

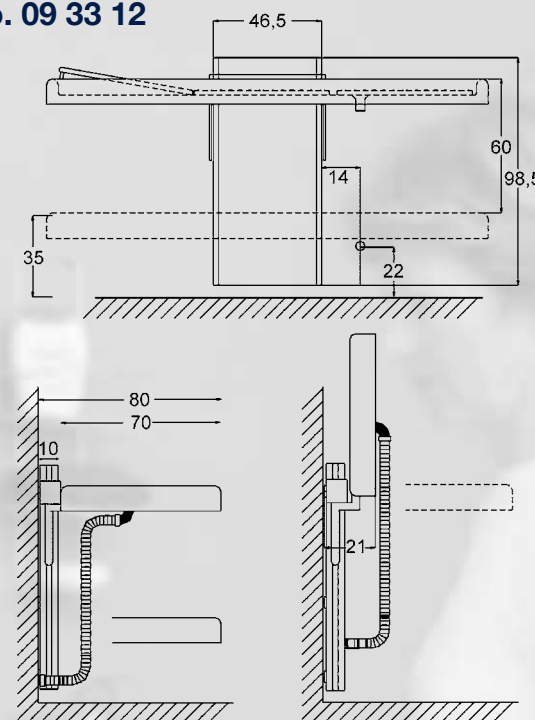
Security

All benches will be delivered with a mechanical built-in pinch protection that will stop the bench if resistance is met.

The shower and nursing bench may also be delivered mounted.

Shower Bench

ISO No. 09 33 12



Lina Shower and Nursing Bench

Technical Data

Maximum load 150 kg
Lifting interval 60 cm

Console

H x W x D 98.5 x 46.5 x 10.0 cm

Bench

Standard height above floor . . 35-95 cm
Underlay depth 70 cm
Depth from wall to bench edge . 80 cm

Lengths

Lina 5430 130 cm
Lina 5450 150 cm
Lina 5470 170 cm
Lina 5490 190 cm
Width in folded position 21 cm

Features

Handheld control with spiral cord
Three-piece perforated underlay for outlet
Flexible draining hose

Accessories

Water-resistant blue foam rubber cushion, approx. 3 cm thick
Side rails in lengths of 100, 130 and 150 cm can be swung under the bench when not in use.

Materials

The bench is made of cleaning-friendly vacuum-formed plastic with perforated plastic underlay and flexible draining hose.

The console is made of anodised aluminium with white powder-coated front plate to prevent corrosion.

Power Supply

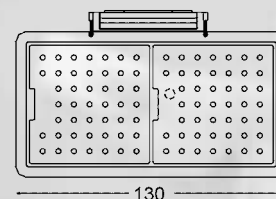
Operating voltage 24 V DC
Security
Mechanical pinch protection
CE marked

Inspections

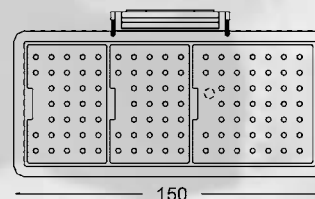
Recommended to be conducted once a year



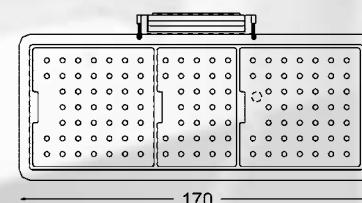
Model 5430



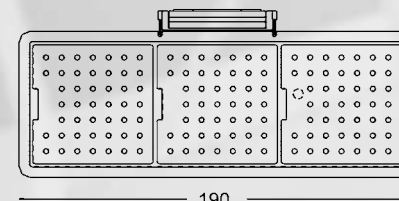
Model 5450



Model 5470



Model 5490



All measurements are in cm.



Jernholmen 41, DK-2650 Hvidovre
Tel. (+45) 36 39 80 00, fax (+45) 36 39 80 10
info@keboCare.dk, www.keboCare.dk

Lina Shower and Nursing Bench

Ordering Information

Length	Ordering No.	HMI No.
130 cm	093312.35	18540
150 cm	093312.36	18537
170 cm	093312.37	18541
190 cm	093312.38	18539